



PISCES FISH MACHINERY, Inc.

DS Series *Drum Scaling Machines*



The DS-series drum scaling machines scale the fish by gently spinning them in a metal mesh drum. The rotating action and friction between the fish and the mesh removes the scales. The fish are scaled for a predetermined length of time controlled by an automatic adjustable timer. This ensures that the fish are scaled without any damage to the eyes or gill plate.

The DS-300 and DS-150 drum scalers are available with the following options: feed hopper, scale basket, removable panels, take-away conveyor and top holding hopper with optional load cell mounting for a controlled weight feed to the scaler.

DS-400 PLC Controlled Drum Scaler

The DS-400 is a drum scaler fitted with a PLC for controlled positioning of the drum.

The PLC enables the drum to return to a load or unload position with the touch of a button. The cycle time between loads is greatly reduced as the need to manually jog the drum into the desired position is eliminated. The drum is positioned using sensors and a PLC controller. The operator simply pushes a button and the drum returns to the desired location.

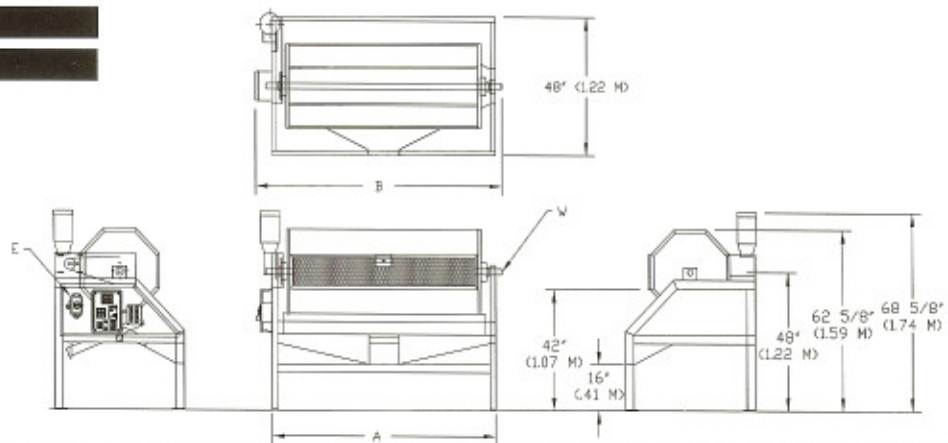


DS Series Drum Scaling Machines

Technical Specifications

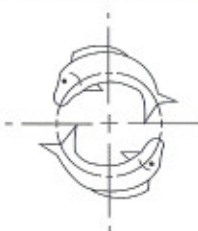
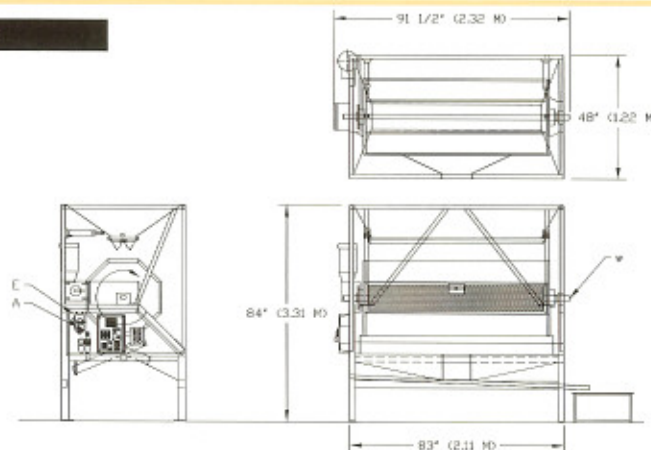
	DS-150	DS-300	DS-400
Length A	47" (119 cm)	83" (211 cm)	83" (211 cm)
Length B	56" (141 cm)	92" (232 cm)	92" (232 cm)
Capacity / Batch	150 lbs (69 kg)	300 lbs (137 kg)	300 lbs (137 kg)
Power	2HP (1.5 KW)	2HP (1.5 KW)	2HP (1.5 KW)
Compressed Air	no	no	yes
Water usage / minute	up to 10 gal (38 liters)	up to 20 gal (76 liters)	up to 20 gal (76 liters)
Operators	one	one	one

DS-150 DS-300



DS-300 and DS-400 drum scalers can be fitted with the following options; infeed hopper, top-holding hopper, take-away conveyor and weighting unit for the top hopper. Specifications subject to change without notice. These machines are subject to U.S. and International patents and meet all CE machine directives.

DS-400



PISCES FISH MACHINERY, Inc.

P.O. BOX 189
WELLS, MICHIGAN 49894
TEL: 906/789-1636
FAX: 906/789-1211
E-MAIL: pisces@pisces-ind.com