



PISCES FISH MACHINERY, Inc.

PN-400 *Pisces Nobbing Machine*

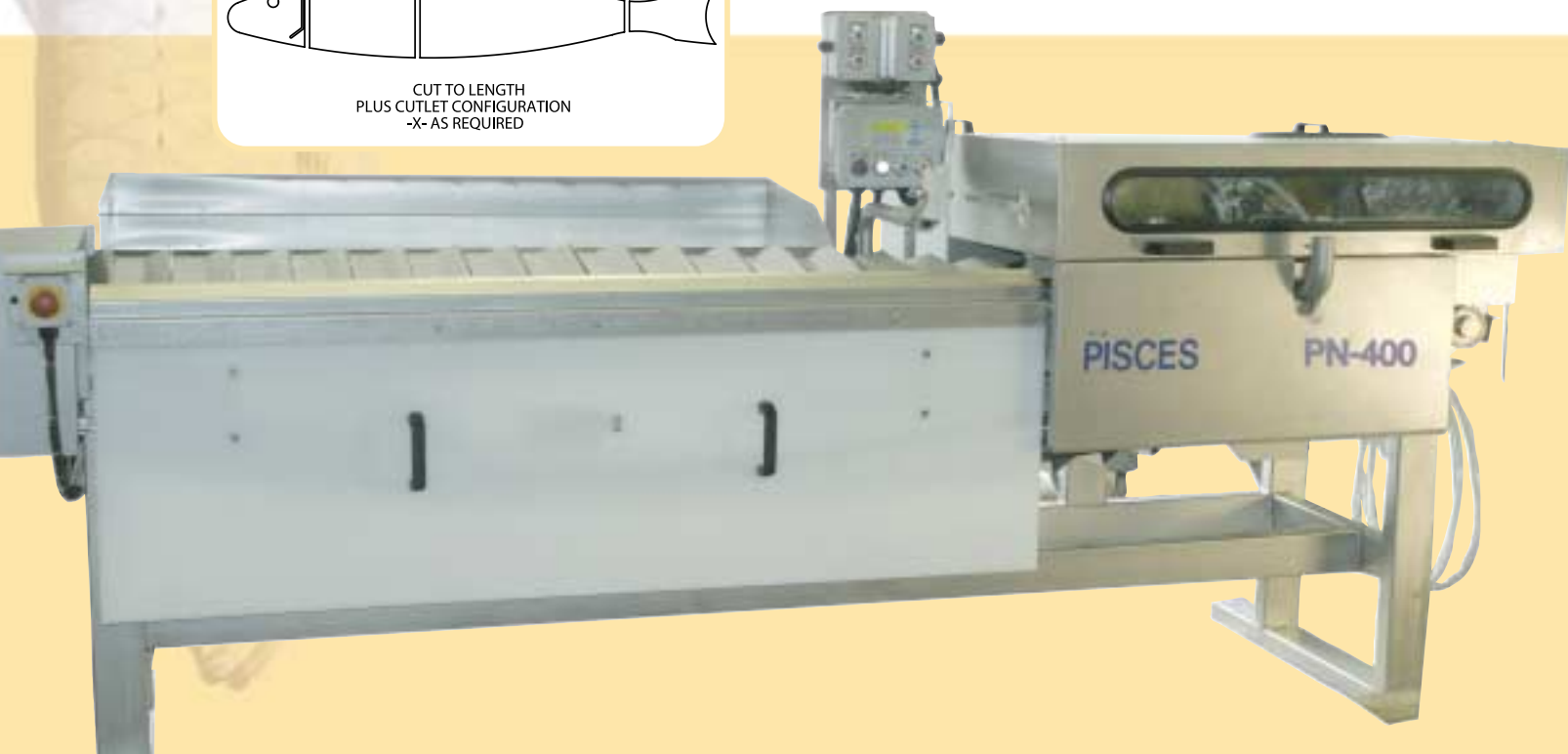
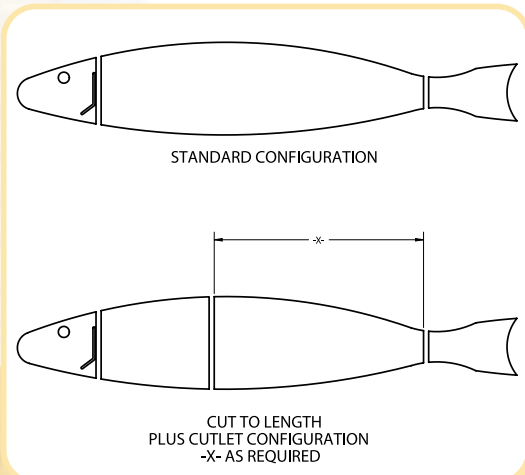


The Pisces PN 400 Nobbing machine is a high-speed heading, eviscerating and tail removal machine suitable for Sardine, Herring, Mackerel and similar species up to 400 mm in length.

With speeds up to 300 fish per minute the PN 400 utilizes a gill cover location system to ensure a maximum yield head cut irrespective of fish size, dual vacuum ports for efficient viscera removal and an adjustable tail cut locator. Production throughput is monitored and recorded by a simple PLC which also controls all speed and timing functions.

The PN 400 is manufactured entirely from stainless steel and USDA approved construction materials. This includes stainless steel motors, bearings and gearboxes. All electrical controls are in wash down enclosures and electrical circuits are to CE safety standards with lock out boxes and 24-volt control interface.

The PN 400 is available with fish pocket formats of 45, 60, 75 and 90 mm and with an optional cut to specific can length, plus cutlet production configuration, for maximum utilization of raw material.



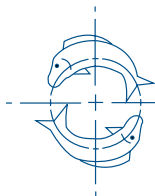
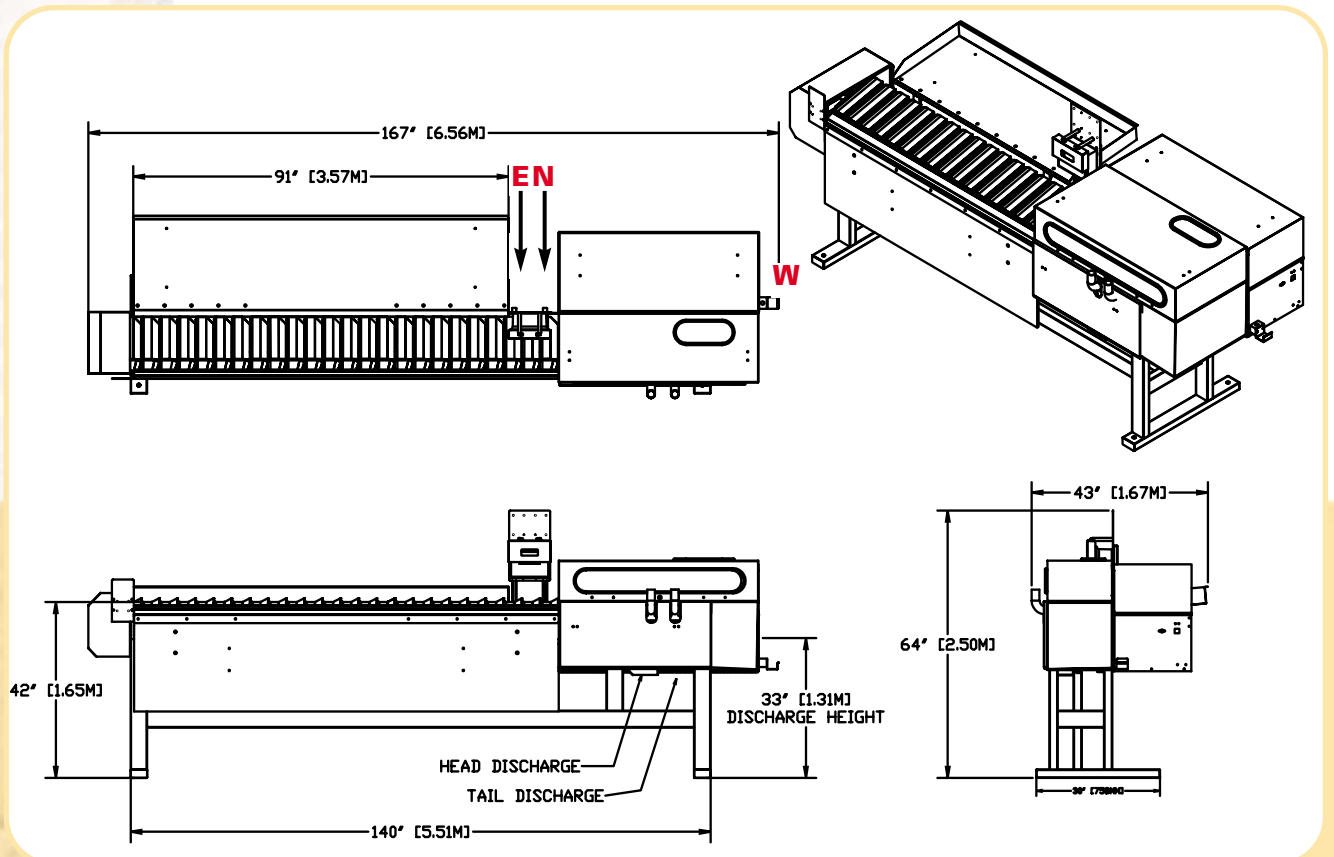
PN-400 *Pisces Nobbing Machine*

Technical Specifications

Water Connections	Standard garden hose connection
Water Usage	2 U.S. gallons per minute or 7.57 liters per minute
Can Cut size options	9.5-10cm/10.2-10.7cm/12.5-13cm
Electrical	Three Phase, 380-480 VAC, 50-60 Hz
Power	2 kW
Operators	Three
Net Weight	1200 lbs. (544 Kgs)
Weight Export Crated	Contact Pisces for details
Crate Volume	Contact Pisces for details

Specifications subject to change without notice. This machine is subject to U.S. and International patents and meets all CE machine directives.

W= Water connection • **E**= Electrical connection • **N**= Network connection



PISCES FISH MACHINERY, Inc.

P.O. BOX 189
 WELLS, MICHIGAN 49894
 TEL: 906/789-1636
 FAX: 906/789-1211
 E-MAIL: pisces@pisces-ind.com