

PISCES FISH MACHINERY, Inc.

PN-700 *Pisces Nobbing Machine*



The Pisces PN-700 nobbing machine is suitable for Hake and other species up to a maximum length of 700mm (28").

Incorporating an ultra-sonic fish measuring system and vacuum ports synchronized to the travel of the fish, the PN-700 removes the head and viscera of the fish with maximum efficiency and minimum yield loss. An optional tail removal device with tail cut location is also available.

Speeds up to 170 fish per minute are achievable via a programmable logic controller which also collates such production data as: Total fish count, runtime, tray fill percentage (operating efficiency) and fish size in four categories. The PLC has network interface capabilities for transference of data to production control systems.



The PN-700 is manufactured entirely from stainless steel and USDA approved construction materials. This includes stainless steel motors, bearings and gearboxes. All electrical controls are in wash down enclosures and electrical circuits are to CE safety standards with lock-out boxes and 24-volt control interface.



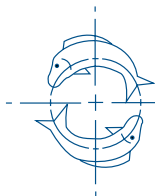
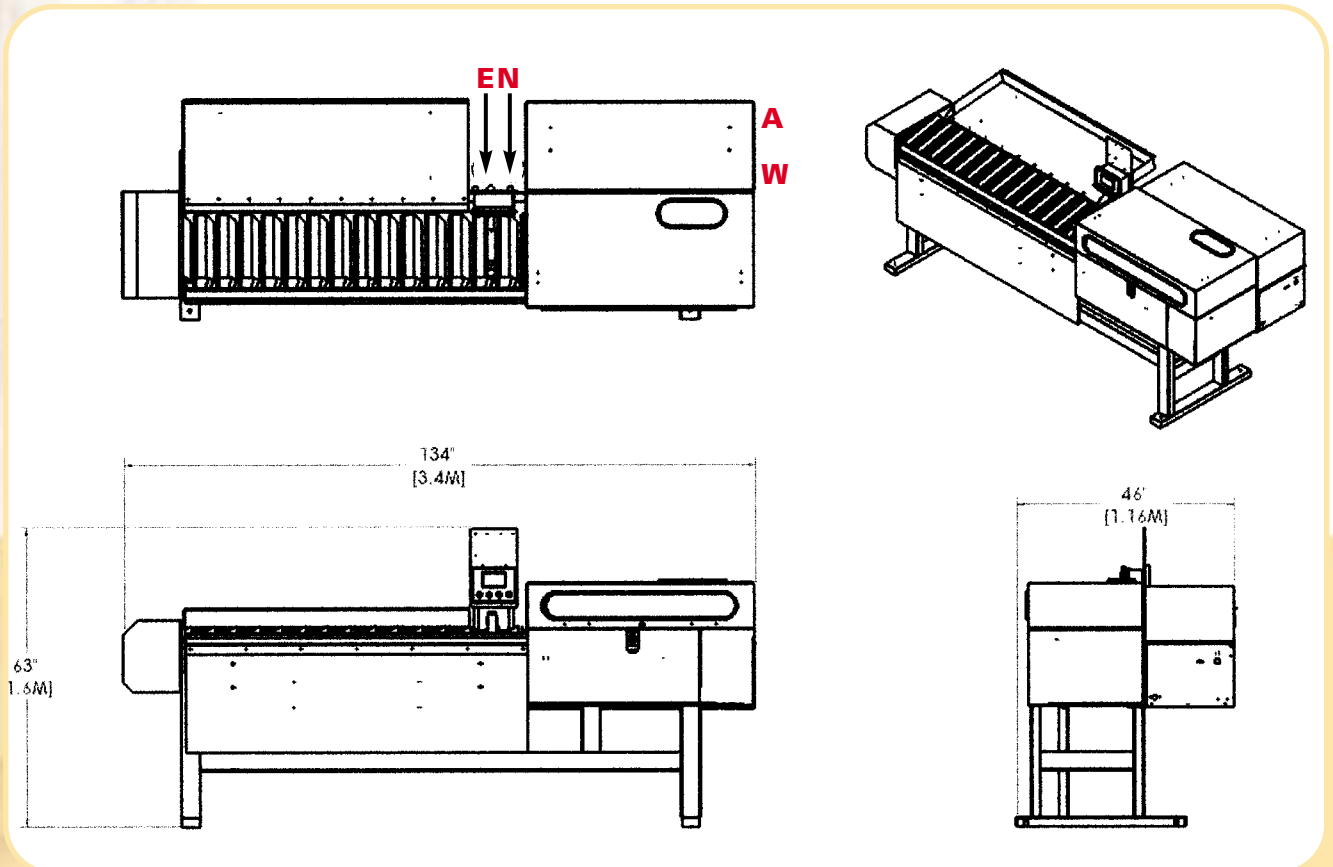
PN-700 *Pisces Nobbing Machine*

Technical Specifications

Water Connections	Standard garden hose connection
Water Usage	4 U.S. gallons per minute or 15.14 liters per minute
Air	90 PSI (6.2 BAR) 4cfm (113 liters/min)
Electrical	Three Phase, 380-480 VAC, 50-60 Hz
Power	2 kW
Operators	Two
Net Weight	1200 lbs. (544 Kgs)
Weight Export Crated	Contact Pisces for details
Crate Volume	Contact Pisces for details

Specifications subject to change without notice. This machine is subject to U.S. and International patents and meets all CE machine directives.

W= Water connection • **E**= Electrical connection • **A**= Air connection • **N**= Network connection



PISCES FISH MACHINERY, Inc.

P.O. BOX 189
WELLS, MICHIGAN 49894
TEL: 906/789-1636
FAX: 906/789-1211
E-MAIL: pisces@pisces-ind.com