



3-year
warranty

V1458
Automatic skinning machine

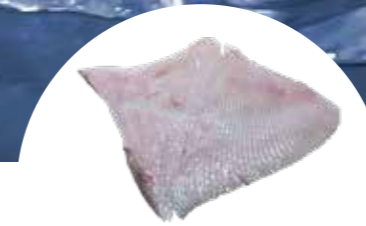
for **skate**
wings and
flat fishes

***A compact machine to remove the skin
of your whole flat fishes***

- ▶ Plug & Play
- ▶ Easy to clean
- ▶ Easy to move
- ▶ Industrial capacity

V1458 Automatic skinning machine

Thanks to its “piano” system at the front of the blade, the V1458 removes the skin from the product without cartilage. It is particularly well-suited to skate wing skinning. With its non-cutting blade, it can also be used for skinning all kinds of flat fishes (whole sole, plaice, turbot, etc.). The top roller at the blade holder exit enables the product to be recovered in-line, either on the exit conveyor belt, or on a stainless steel slide for easy second pass (peeling on the other side). The V1458 machine therefore meets the needs of industries, fishmongers, etc.



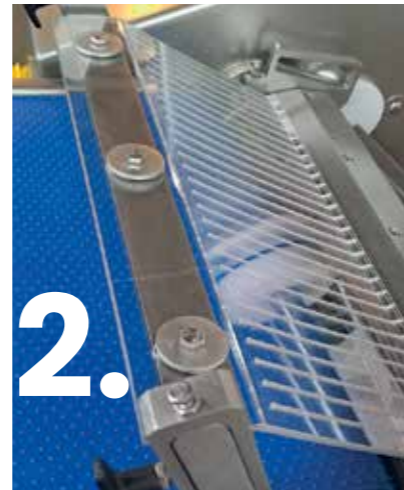
Skate wing



Flat fishes

Key features

1. Interchangeable blades
2. Patented “piano” system with removable support
3. Easy to assemble/disassemble: blade holder and conveyors can be removed without tools
4. Plug & Play: already configured and easy to operate
5. Automatic water injection before the ray enters the machine for a second rinse
6. Easy to clean: removable infeed belt
7. Easy to move: machine on wheels
8. Capacity: 30 to 60 pieces/min (one-side skinning)
9. 100% stainless steel



2.

The “piano” system (patented by VARLET) ensures a firm grip on the product right from the start, to remove the skin from skate wings or flat fishes.

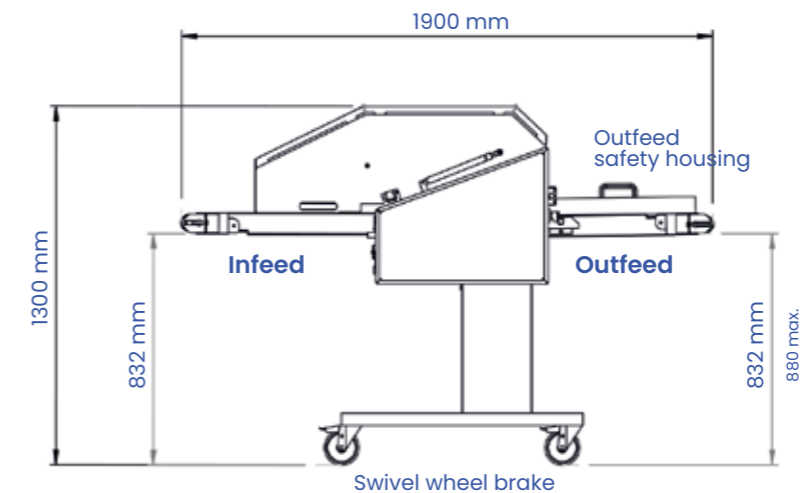
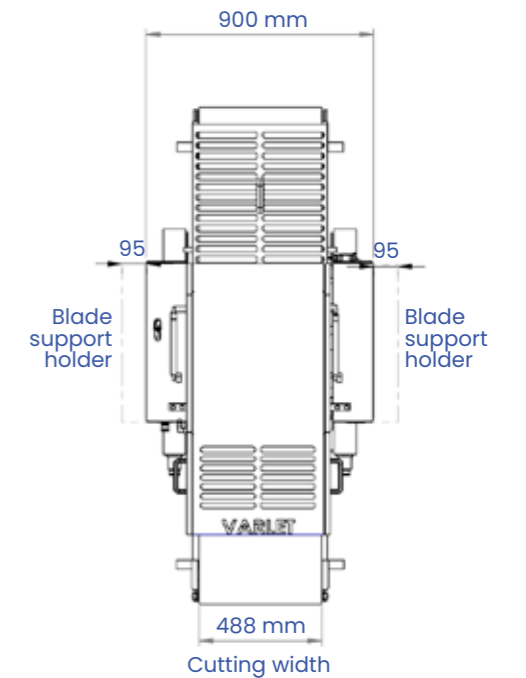


3-year
warranty

Technical information

Water injection: 6 l/min at 2 bars
Conveyor width: 475 mm
Weight: 230 kg
Lane: single lane
Speed, infeed belt (standard): 17 m/mn
Power connection: 3 x 400 V + PE, 50 Hz*
Power consumption: 3 x 1 kW
Noise level: 65 dB (A)

* other power connection available upon request



Available options

- ▶ Removable outfeed belt
- ▶ Customized integration to adapt the machine to a specific working environment

Flash this QR code to watch the video introducing the V1458 machine





VARLET MACHINES

Founded in 1933, Varlet Machines is a French company based in Boulogne-sur-Mer, which designs, manufactures and sells machines for processing fish, meat and poultry.

With an experience of more than 80 years and the will to answer the more and more demanding expectations of the market, the company is today the first French manufacturer of machines in this field.



Varlet Machines, 12-14, rue de Magenta,
62200 BOULOGNE-SUR-MER, FRANCE



Tel: +33 (0)3 21 31 49 26



contact@varletmachines.com



www.varletmachines.com